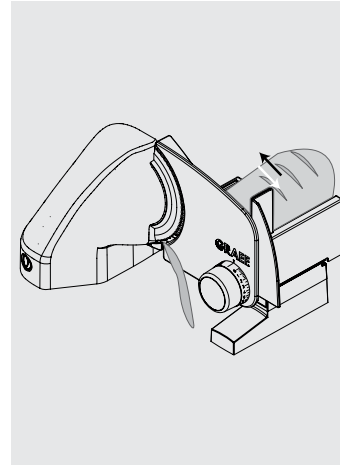
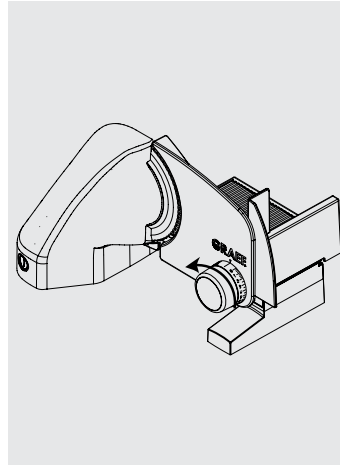
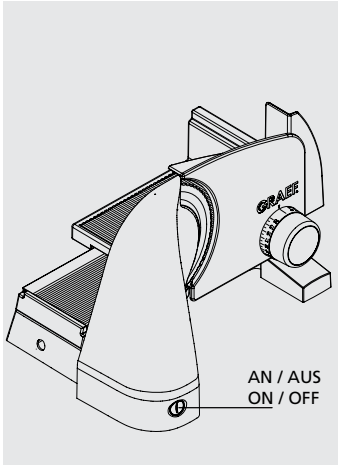
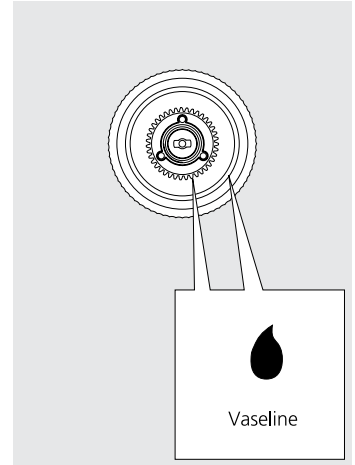
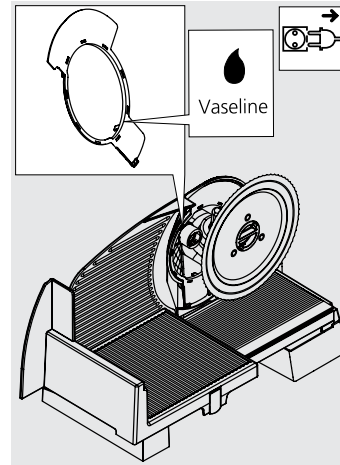
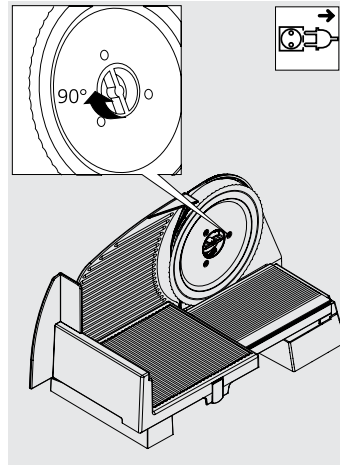
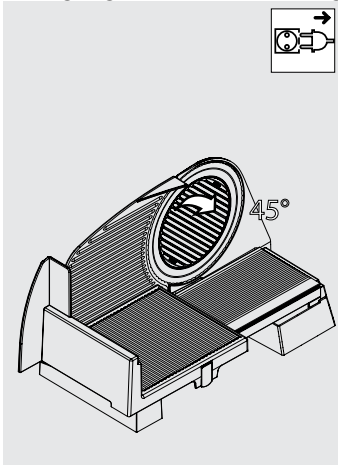


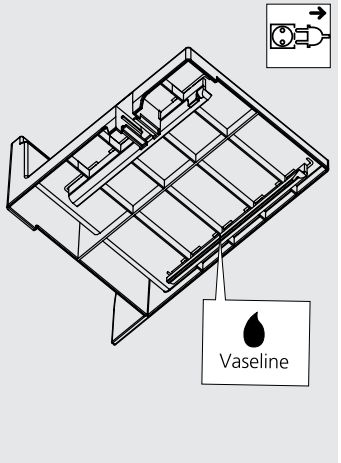
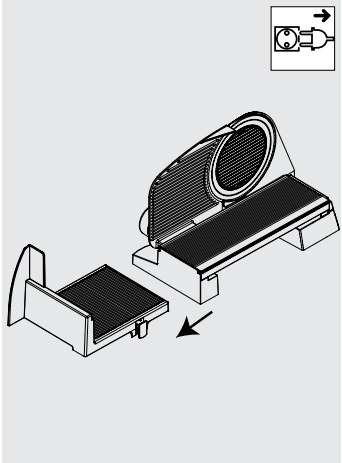
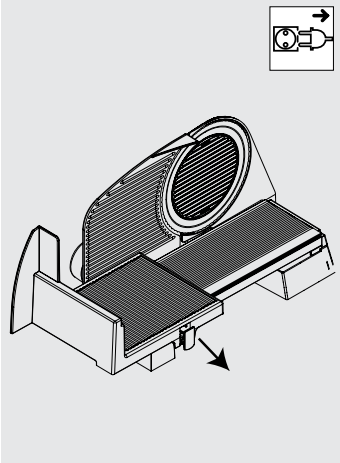
Arbeiten / Operation



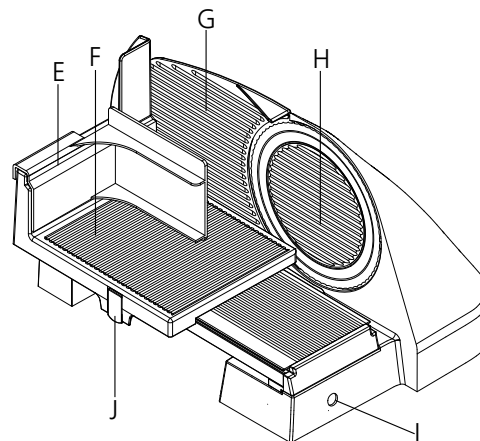
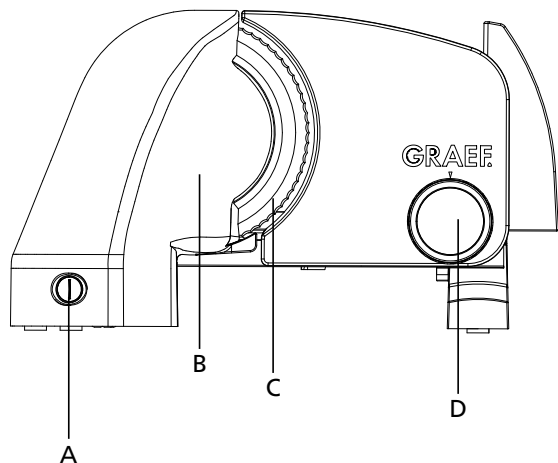
Reinigung/Messer / Cleaning/Blade



Schlitten abnehmen / Carriage removal



Technische Daten / Technical details



- A Ein-/Ausschalter
- B Gehäuse
- C Schneidmesser
- D Drehknopf zur
Schnittstärkeneinstellung
- E Restehalter
- F Schlitten
- G Anschlagplatte
- H Messerabdeckplatte
- I Kabelfach
- J Schlittenriegel

Technische Daten:
 Arbeitsbereich: (LxBxH)
 Vivo V 10
 367 x 293 x 235 mm
 Vivo V 20
 376 x 301 x 247 mm
 Schnittstärke: 0 - 20 mm
 Schnitthöhe: 143 mm
 Schnittlänge: 235 mm
 Betriebsspannung: 230 Volt
 Leistung 88 Watt,
 max. 170 Watt

- A On-Off switch
- B Housing
- C Blade
- D Control dial, for
adjustment of slicing
thickness
- E Food holder
- F Carriage
- G Stop plate
- H Blade cover
- I Cable compartment
- J Carriage lock

Technical data:
 Work space: (LxWxH)
 Vivo V 10
 367 x 293 x 235 mm
 Vivo V 20
 376 x 301 x 247 mm
 Slice thickness: 0 - 20 mm
 Cut height: 143 mm
 Cut length: 235 mm
 Operating voltage: 230 Volt
 Power 88 watt,
 max. 170 watt

Table of content

EN

Safety instructions.....	6
Unpacking	8
Requirements of the location	8
Possible sources of danger.....	8
Child safety	8
Short-term operation/automatic shutdown	8
Overload protection.....	8
Thermo-protection	9
Material to be sliced	9
Slicing.....	9
Food holder	9
Cleaning.....	10
Removing the blade	10
Carriage	10
Disposal.....	11
Guarantee	11

Safety instructions

The appliance complies with the applicable safety regulations. Improper usage can, however, lead to damage to people and property.

Observe the following safety instructions to ensure safe use of the appliance:

- Before use, check the appliance for externally visible damage to the casing, the power cord and plug. Do not use a damaged appliance.
 - In the event that the appliance's power cord is damaged, it may only be replaced by the manufacturer or its customer service or another similarly qualified person in order to minimise risks.
 - Repairs may only be carried out by a specialist or by Graef customer service. Improper repairs may result in major dangers to the user. In addition, this also renders the guarantee invalid.
 - Repairs during the guarantee period of the appliance may only be carried out by Graef customer service, otherwise subsequent damages are no longer covered under the guarantee.
- Defective components may only be replaced by original spare parts. Only these components guarantee that the safety regulations are complied with.
 - This appliance should not be used by persons (including children) with limited physical, sensory and mental abilities or a lack of experience and/or a lack of knowledge, unless they are supervised by a person responsible for their safety or have received instruction on how the appliance is to be used.
 - The appliance may not be used by children. The appliance and its power cord must be kept out of the reach of children.
 - Children should be supervised to make sure they do not play with the appliance.
 - The appliance is not designed to be used with an external timer or a separate remote control.
 - This appliance is designed to be used in the home and in similar situations, such as: in employee kitchens for shops and offices; in

agricultural properties; by guests in hotels, motels and other accommodation; in bed and breakfast establishments.

- Always pull out the cord from the socket using the plug, not the power cord.
- Before connecting the appliance, compare the connection data (voltage and frequency) on the data plate with that of your electricity network. This data must match to ensure that the appliance does not suffer any damage.
- Do not use the appliance if the power cord or plug is damaged.
- Before continuing to use the appliance, have a new power cord installed by Graef customer service or an authorised specialist.
- Under no circumstances should you open the casing of the appliance. If live wires are touched and the electrical and mechanical structure is changed, there is a danger of receiving an electric shock.
- Never touch live components. These can give you an electric shock or even lead to death.
- Do not carry the appliance by the power cord.
- Never move the appliance while it is in use.
- Do not operate the appliance with wet hands.
- When the appliance is not in use, turn the dial clockwise past the “0” setting as far as it will go, so that the stop plate covers the blade.
- Packaging may not be used as a toy. There is a risk of suffocation.
- Do not touch the edge of the blade with your fingers. It is very sharp and can cause serious injury.
- Make sure that the appliance is switched off and unplugged before cleaning or when it is not in use.
- Check whether the stop plate is closed (blade covered).
- Do not use any aggressive or scouring cleaning agents nor any solvents.
- Do not scratch off any tough dirt with hard objects.
- Do not wash the appliance in water or

submerge it in water.

Unpacking

Unpack the appliance as follows:

- Take the appliance out of its box.
- Remove all packaging.
- Remove any stickers on the appliance (do not remove the data plate).

Requirements of the location

In order to ensure the safe and flawless operation of the appliance, its location must fulfil the following requirements:

- The appliance must be placed on a firm, flat, horizontal and non-slip surface which can bear sufficient load.
- Select the location to ensure children cannot touch the sharp blade of the appliance.

Possible sources of danger

The very sharp blade can cut off parts of the body. Your fingers are particularly at risk. For

this reason, do not touch the area between the stop plate and the food pusher unless the stop plate is completely closed, i.e. set to “0”.

Child safety

In order to safeguard the blade (stop plate must be closed, i.e. set to “0”), push the carriage in front of the blade and push in the carriage lock. The carriage is then secured.

Short-term operation/automatic shutdown

The appliance has a short operating period of 5 minutes. To prevent this being greatly exceeded, the appliance is equipped with an automatic shutdown function after 10 minutes. The appliance shuts down but may be restarted immediately if required.

Overload protection

If the blade is blocked by a hard object (e.g. bones) during slicing, the blade motor cuts out immediately, thus protecting the gears and motor.

Thermo-protection

This appliance has been fitted with thermo-protection. If the appliance overheats after operating in excess of 10 minutes, the thermo-switch shuts down the appliance automatically.

Note: This thermo- protection should not be confused with the automatic shutdown function. If you can switch on the appliance again without a problem after it shuts down, it is an automatic shutdown. However, if the appliance cannot be switched on again, the thermo-protection is active.

Unplug the appliance and let it cool down. Once it has cooled (to room temperature if possible), plug it back in.

You can now switch the appliance on again using the on/off switch.

Material to be sliced

- You can slice bread, ham, cold meats, cheese, fruit, vegetables, etc. with the appliance.
- Under no circumstances should you cut hard objects such as frozen food, bones, wood,

metal or similar.

Slicing

- Place the enclosed tray, a plate or similar under the appliance.
- Press the material to be sliced lightly against the stop plate and push the carriage evenly against the knife.
- Press the on/off switch.
- After you have finished slicing, press the on/off switch again.

Note: Soft foods (e.g. cheese and ham) can be sliced more easily if they are chilled. Soft foods are easier to slice if you push them forward more slowly. When slicing cucumbers or carrots, it is easier when they are cut to the same length in advance and then fed through using the food holder.

Food holder

The appliance may not be used without an food holder, unless the size and shape of the material to be sliced make this impossible.

As soon as the size or shape of the material to be sliced permits the use of the food holder, it must be used.

- Place oddments or smaller pieces of food on the carriage.
- Place the food holder on the back wall of the carriage and push it up to the material to be sliced.
- Proceed as described above under “Slicing”.

The food holder enables you to slice smaller foods, such as mushrooms and tomatoes.

Cleaning

Clean the external surfaces of the appliance with a soft, moist cloth. If it is very dirty, a mild detergent may be used.

Removing the blade

Please also unscrew the blade from time-to-time and clean the inside of the appliance. In particular when “juicy” foods (tomatoes, fruit, roast meat, etc.) have been sliced. Treat the blade with utmost care.

- Pull the carriage fully towards you.
- Remove the blade cover by swivelling it about 45° to the right.
- Turn the blade lock to the right and carefully remove the blade.
- Clean the inner side of the blade with a damp cloth.
- Follow the instructions in reverse order to replace the blade and blade cover.

This process must be conducted with the utmost caution, as it is a very sharp object.

Carriage

In order to clean the carriage better, it can be removed from the machine.

- Remove the carriage lock on the right of the carriage.
- Pull the carriage away backwards and remove it.
- Clean all the parts with a damp cloth or under running water.

Important: Do not clean the carriage in the dishwasher!

- Please place a few drops of resin-free oil or vaseline on the tray guide once a month. Remove excess oil/vaseline with a soft cotton cloth.

Disposal

This product may not be disposed of in the household waste at the end of its lifecycle; it must be taken to a collection point for recycling of electronic household waste. The symbol on the product and in the operating instructions indicate this. The materials are recyclable in accordance with their labelling. By re-using, recycling the materials or utilising old appliances in other ways, you are making an important contribution to protecting our environment. Please ask your local authority about where to find the appropriate disposal site.

2-year guarantee (Vivo V 10)

3-year guarantee (Vivo V 20)

For this product we assume a 24-month or 36-month manufacturer guarantee from the date of sale for defects due to manufacturing or material faults. Your statutory guarantee rights pursuant to Section 439 ff. of the German Civil Code (BGB-E) remain unaffected by this provision. The guarantee does not cover damages which have arisen as a result of improper treatment or usage or defects which only slightly impair the function or value of the appliance. Furthermore, damage in transit is excluded from the guarantee unless we are responsible. Damages arising from a repair not carried out by us or one of our representatives are excluded from the guarantee. In the case of justified claims, we will repair the defective product or exchange it for an undamaged product at our discretion.